

**BTU Range:** 6,000 to 45,000

**Burn Time:** Up to 72 hours

**Hopper Fuel Capacity:** 130 Lbs. Corn, Up to 120Lbs. wood pellets,

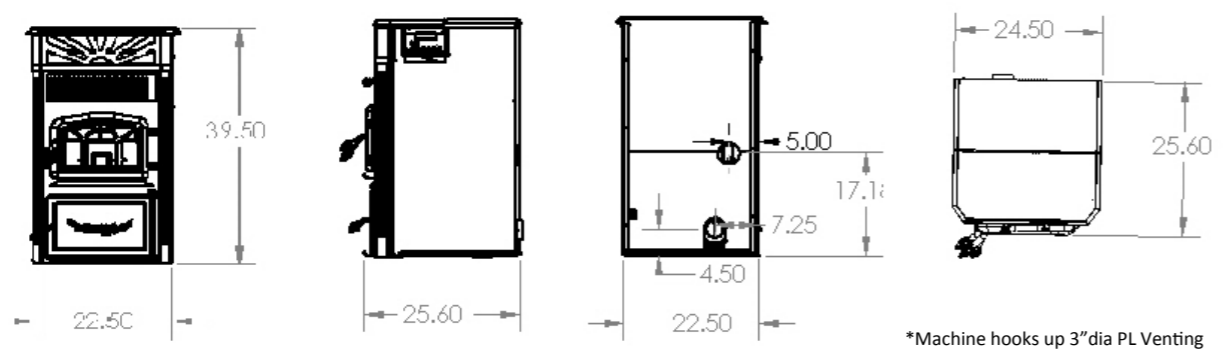
**Heating Capacity:** Up to 2400 square feet

**Fuel Options:** Corn, Wood Pellets, Flex-fuel Barley, Oats, Grass pellets; Switch, Big Bluestem etc. Cherry pits,



G106X WITH OPTIONAL:  
SERAPH MULTI-FUEL CONTROL.

G106X LAYOUT & SPECIFICATIONS: 250# EMPTY



\*Machine hooks up 3" dia PL Venting standard; 3" dia air intake











**CORN AND PELLET STOVES**

**YOUR DEALER IS:**

1175 Krupke Rd  
Caledonia IL 61012

Pres. vancesr@seraph-industries.com  
Vice Pres. vancejr@seraph-industries.com






# GENESIS *G106X*

*Heating with renewable fuels!*

# GENESIS SERIES *G106X*

**83% + The industries highest overall efficient pellet stove!**



## The Seraph Advantage!

Heavy duty. All day all night performance, alloy steels and corrosion resistant stainless steel used in the construction of this machine ensuring the longest life possible. Easily maintained! A easily cleaned machine is happy customer, because routine cleaning takes only minutes per week your stove will be heating and so many others are hard to clean and lose efficiency. Ash Removal Technology, this is a true multi fuel stove gives you the widest range of burning materials whether its straight corn, wood pellets, barley, wheat or any other biomass pellet available.

**The Genesis G106X gives you the high performance you have come to expect and the safety & value that is uniquely Seraph. Enjoy years of warmth, a machine very easily maintained for optimum performance. This IS exactly what customers want during long harsh winters. The G106X has 100#+ hopper standard and options such as ignition and style like the LED nature scene image box with your choice of nature scenes. Choices in panel color , Seraph Multi-fuel control. Much more than just a pellet stove, Seraph combines form and functionality in a world class machine.**

*Give us a call you'll be glad you did!*

## WHY SERAPH?

- 1) Easy clean design !
- 2) LARGE CFM Room blower double the size of most competitors! Enjoy your heat indoors not wasted outside.
- 3) Large 100#+ Hopper standard very easy load.
- 4) Patent pending ash removal technology and innovative fire pot easy to maintain and run efficiently.
- 5) **Simplex control has Auto Ignition standard**
- 6) Optional Designer Warm white LED silhouette box.
- 7) Optional Designs colors, artwork etc.
- 8) Optional : State of the art **Seraph Multi Fuel control** gives the options of any Biomass fuel available. This control gives the consumer 100% control over their fuel choices whether they are tried and true fuels such as corn & wood, or even switch grass pellets and gives you the option to try anything experimental. If its made of biomass and able to be auger fed this machine has likely burned it. Let us know what you are wanting to try we will help you in finding the most favorable settings !

For more info: [www.seraph-industries.com](http://www.seraph-industries.com)



For more info: [www.seraph-industries.com](http://www.seraph-industries.com)

## THE DIFFERENCE YOU CAN FEEL!!

### Sustainability and Sensibility STANDARD!

#### OPTIONAL LIT UP SCENES

Choose between warm white OR the full blown "aurora" color change light show!!! It really sets off your investment not only have the functional side stove but also the beauty that you can customize.~

#### Very large heat exchanger:

Effectively extracts the most heat from every ounce of fuel run in this machine

No tools needed for normal routine maintenance in the firebox!

Cleaning simplicity was in mind when designed into the machines firebox features.

Large ash pans designed for easy clean & maintenance, also solid cast iron doors mfg in USA.

#### Seraph Simplex Control

THE MOST Easy to use manually adjustable or set up for thermostat. All this and auto-ignition is standard with the Simplex control !

**100#+** Hopper standard on the G106X! Up to 70 hours of uninterrupted operation!



Tired of the old black stove look?

We offer choices in color side panels to accentuate the machine to your home.

Scenes are available for sides and the face image see [www.seraph-industries.com](http://www.seraph-industries.com) for image decoration options including gold leaf!

GENESIS G106x w/Simplex control & RGB LED

**Silhouette options** such as moose, elk, bear, fish, salmon, bass, deer, horses, ducks, Aztec, totem design, nature & contemporary designs available check it out: [www.seraph-industries.com](http://www.seraph-industries.com)

Is there something you would like to see? Send us an email?

**Side panel color options include:** Burgundy, Royal Blue, Bright Red, Moss Green and others!